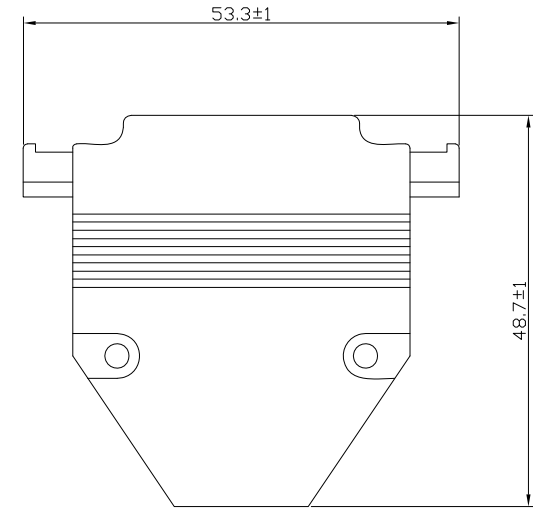
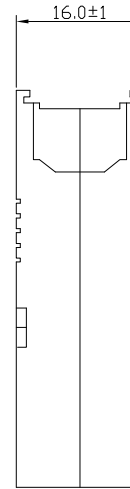
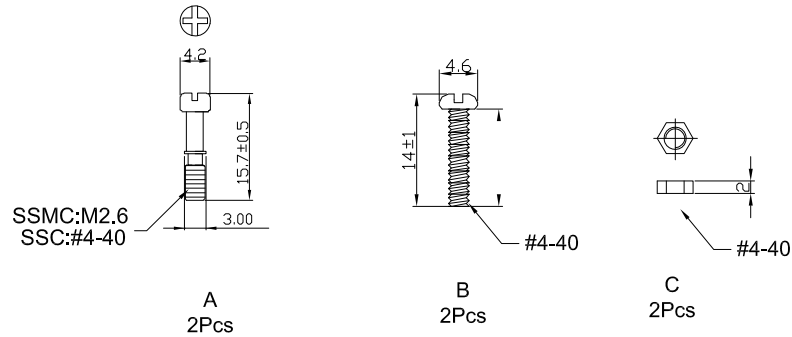


CUST. MODEL:	REF.
CUST. P/N:	DWG FILE:

DESCRIPTION CONTROL			
REV.	DESC.	DATE	APP.

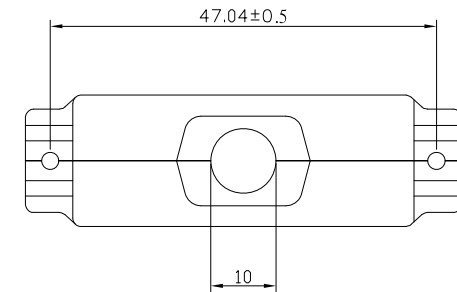
RoHS Compliance

NOTE:
ZINE ALLOY NI PLATED
FOR OD=10.0mm CABLE



MPH02-25-XXXX

SSMC:M2.6
SSC:#4-40



UNLESS OTHERWISE SPECIFIED SURFACE FINISH ALL OVER TOLERANCES mm METRIC X. = ±0.3 .X = ±0.2 .XX = ±0.1	DRAW: <i>CHUBBY</i>	DATE: 02/05/06	TITLE: D-SUB MATEL HOOD Type
	CHECK: KEVIN	APPROVE: TONY	MODEL CODE: MPH02-25-XXXX
			誠州電子有限公司 <i>Sincere State Electronics Co.,Ltd.</i>

NO	DESCRIPTION	QTY
----	-------------	-----