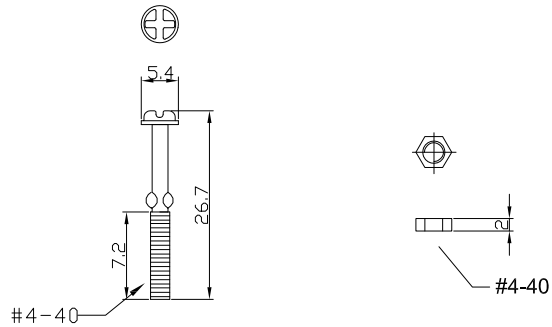


CUST. MODEL:	REF.
CUST. P/N:	DWG FILE:

RoHS Compliance

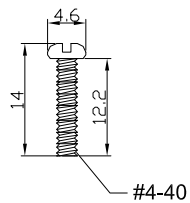
DESCRIPTION CONTROL			
REV.	DESC.	DATE	APP.
1.0	RELEASE	03/10/11	TONY

NOTE:INSULATOR ABS UL94V-0 PLATED
WITH NICKEL/CHORME
METAL:STEEL/NICKEL PLATED

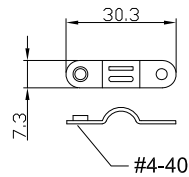


A
2Pcs

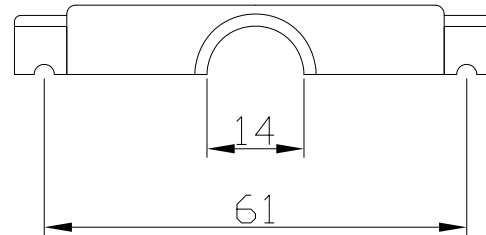
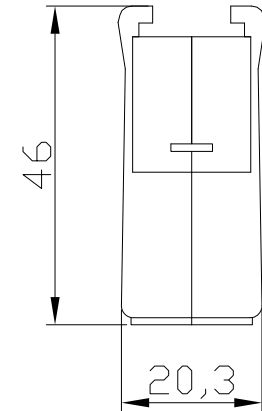
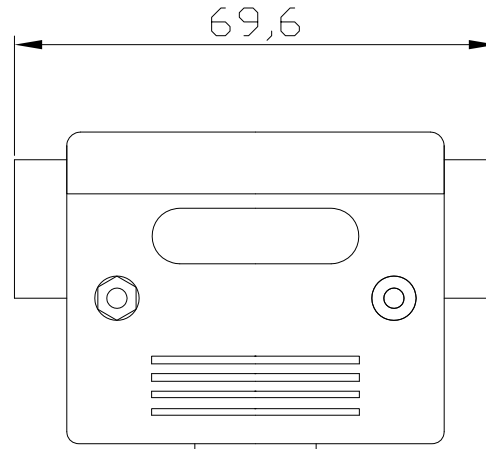
B
2Pcs



C
4Pcs



D
2Pcs



UNLESS OTHERWISE SPECIFIED SURFACE FINISH ALL OVER TOLERANCES mm METRIC X. = ±0.3 .X = ±0.2 .XX = ±0.1	DRAW: <i>CHUBBY</i>	DATE: 03/10/11	TITLE: D-SUB EMI HOOD Short Screw
	CHECK: KEVIN	APPROVE: <i>TONY</i>	MODEL CODE: SPH01-50-SSC
			 誠州電子有限公司 <i>Sincere State Electronics Co.,Ltd.</i>

NO	DESCRIPTION	QTY
----	-------------	-----