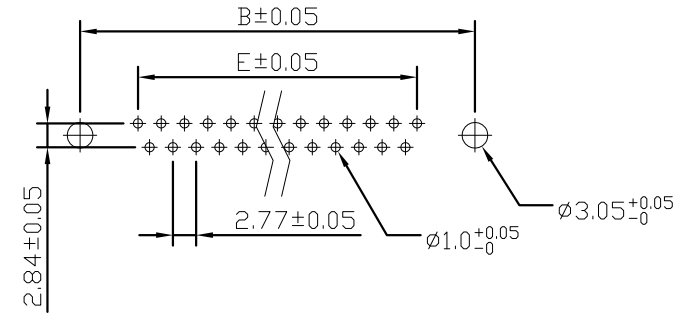
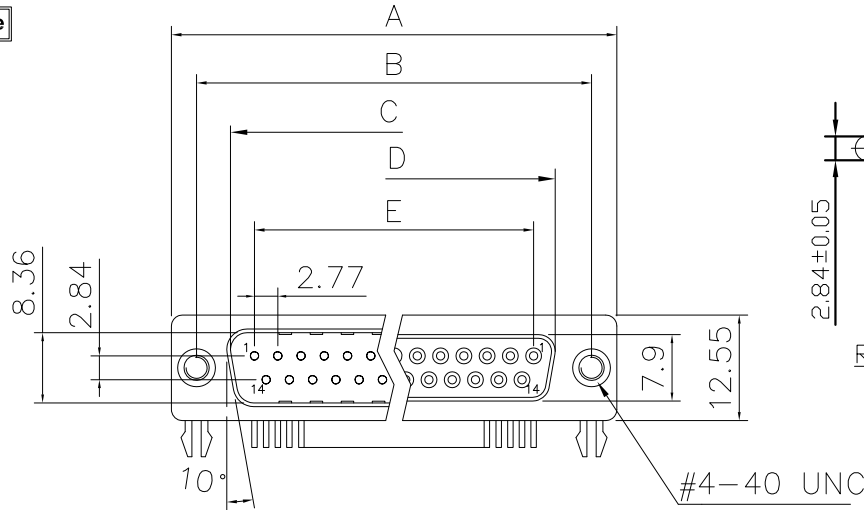


CUST. MODEL:	REF.
CUST. P/N	DWG FILE:

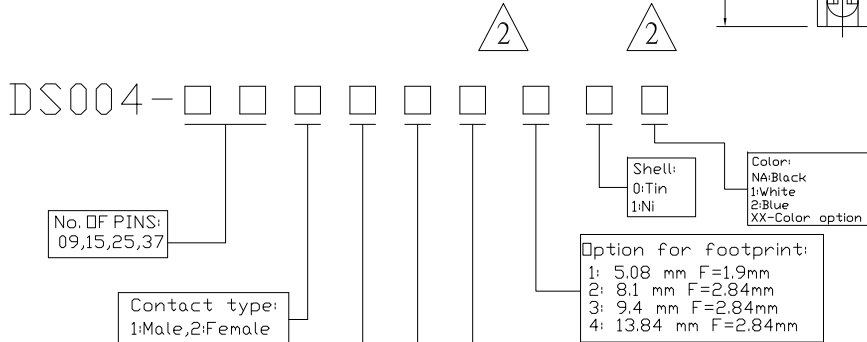
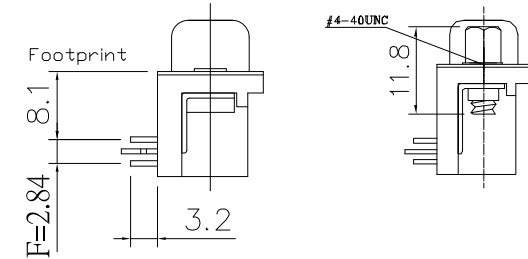
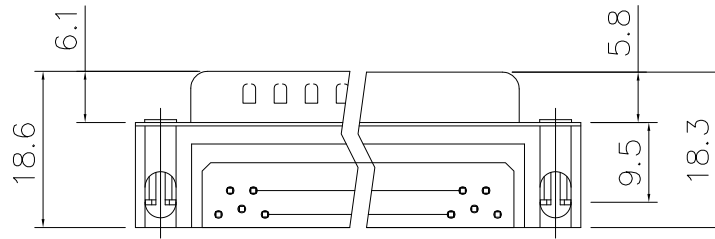
DESCRIPTION CONTROL			
REV.	DESC.	DATE	APP.
1	Release	01/17/07	TONY
2	Amend P/N Information	03/10/14	TONY

**Current Rating:**  
 5 Amps  
**Voltage Rating:**  
 250V AC R.M.S.  
**Insulator resistance:**  
 1000 Megohms Min.  
**Dielectric withstanding:**  
 DC 1000V for 1 minute  
**Contact resistance:**  
 30miliohms Megohms Max.  
**Operating Temperature:**  
 -55 ~ +105 °C  
**Contact Material:**  
 Brass  
**Insulator Material:**  
 PBT(UL94V-0)

**RoHS Compliance**



RECOMMENDED PCB LAYOUT



Dimensions

Positions	A	B	C	D	E
9	30.81	24.99	16.33	16.92	11.08
15	39.20	33.30	24.66	25.25	19.39
25	53.05	47.04	38.96	38.38	33.24
37	69.32	63.50	54.84	55.42	49.86

**Flange Mounting Option:**  
 0: 3.05mm clear hole  
 1: #4-40 threaded hole  
 2: #4-40 threaded hole with #4-40 unc screwlock installed  
 3: #4-40 threaded hole with #4-40 unc screwlock bulk-packed  
 4: M3 threaded hole  
 5: #4-40 threaded hole with M3 screwlock installed  
 6: M2.6 threaded hole  
 7: #4-40 threaded hole with M2.6 screwlock installed

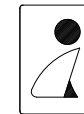
UNLESS OTHERWISE SPECIFIED SURFACE FINISH ALL OVER TOLERANCES mm

METRIC

.X = ±0.38  
 .XX = ±0.25

DRAW: *Chubby*  
 DATE: 01/17/07  
 CHECK: *Kevin*  
 APPROVE: *tony*

TITLE: D-Sub Right Angle Type  
 MODEL CODE: DS004-XXXXXXXXXX



**誠州電子有限公司**  
 Sincere State Electronics Co.,Ltd.

NO	DESCRIPTION	QTY
----	-------------	-----