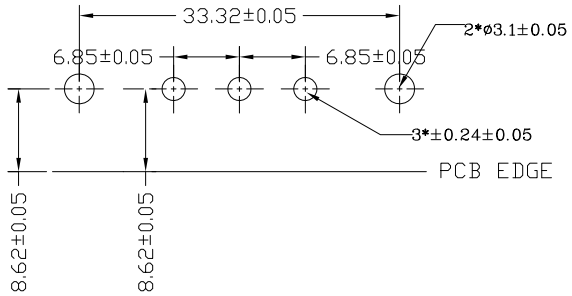


CUST. MODEL:	REF.
CUST. P/N	DWG FILE:

DESCRIPTION CONTROL			
REV.	DESC.	DATE	APP.

RoHS Compliance

Insulator resistance: 1000 Megohms at 500 V DC
 Dielectric withstanding: DC 1000V for 1 minute
 Operating Temperature: -40 ~ +85 °C
 Insulator Material:PBT (UL94V-0) BLACK
 Volatge Rating:250 V AC/rms 60Hz
 Current Rating:20Amp



PCB LAYOUT

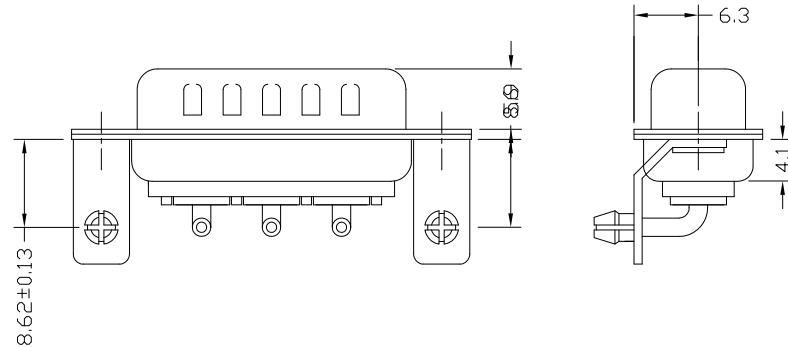
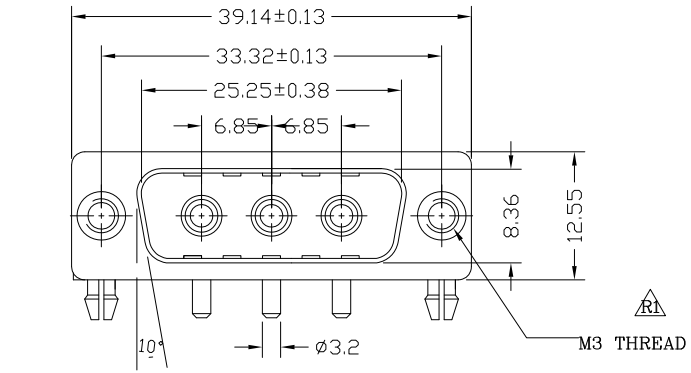
DS116-3W3 1 □ 4 □ 1 □ □

Shell Plated:
 0:NI
 1:TIN

Contact:
 1:Gold flash and Tinned Tail
 2:15u" Gold on contact
 3:30u" Gold on contact
 4:Selective Gold (full Gold)

Position of clinch nut:
 0:NA
 1:3.05mm clear hole
 2:Riveted rear 5.9mm
 3:Riveted rear 5.9mm
 4:2 prong boardlock
 5:4 prong boardlock

Flange Mounting Option:
 0: 3.05mm clear hole
 1: #4-40 threaded hole
 2: #4-40 threaded hole with #4-40 unc screwlock installed
 3: #4-40 threaded hole with #4-40 unc screwlock bulk-packed
 4: M3 threaded hole
 5: M3 threaded hole with M3 screwlock installed
 6: M2.6 threaded hole
 7: M2.6 threaded hole with M2.6 screwlock installed



UNLESS OTHERWISE SPECIFIED SURFACE FINISH ALL OVER TOLERANCES mm METRIC .X = ±0.38 .XX = ±0.25	DRAW: CHUBBY	DATE: 03/05/05	TITLE: D-Sub Power Pin Male R/A Type
	CHECK: KEVIN	APPROVE: TONY	MODEL CODE: DS116-3W31X4X1XX
			 誠州電子有限公司 <i>Sincere State Electronics Co.,Ltd.</i>

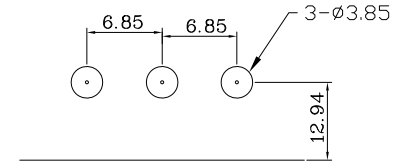
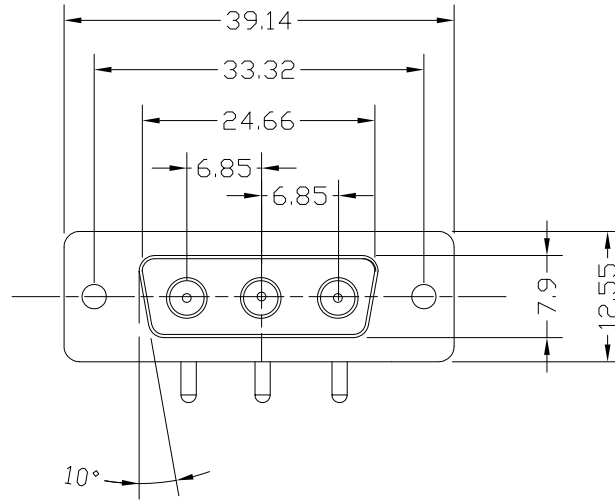
NO	DESCRIPTION	QTY

CUST. MODEL:	REF.
CUST. P/N	DWG FILE:

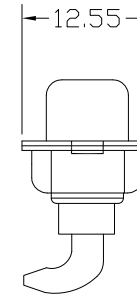
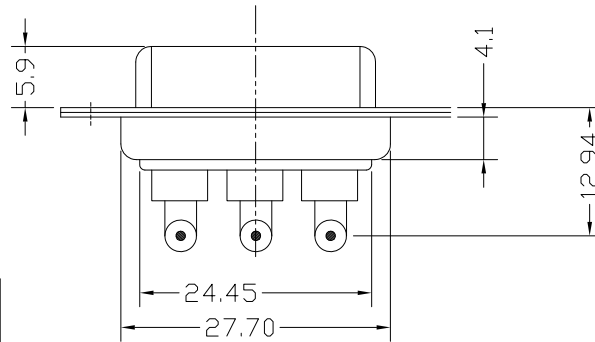
DESCRIPTION CONTROL			
REV.	DESC.	DATE	APP.

Insulator resistance: 1000 Megohms at 500 V DC
 Dielectric withstanding: DC 1000V for 1 minute
 Operating Temperature: -40 ~ +85 °C
 Insulator Material: PBT (UL94V-0) BLACK
 Voltage Rating: 250 V AC/rms 60Hz
 Current Rating: 20Amp

RoHS Compliance



P.C.B Layout



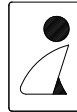
DS116-3W3 2 □ 4 □ 1 □ □

Contact:
 1: Gold flash and Tinned Tail
 2: 15u" Gold on contact
 3: 30u" Gold on contact
 4: Selective Gold (full Gold)

Shell Plated:
 0: NI
 1: TIN

Position of clinch nut:
 0: NA
 1: 3.05mm clear hole
 2: Riveted rear 5.9mm
 3: Riveted rear 5.9mm
 4: 2 prong boardlock
 5: 4 prong boardlock

Flange Mounting Option:
 0: 3.05mm clear hole
 1: #4-40 threaded hole
 2: #4-40 threaded hole with #4-40 unc screwlock installed
 3: #4-40 threaded hole with #4-40 unc screwlock bulk-packed
 4: M3 threaded hole
 5: M3 threaded hole with M3 screwlock installed
 6: M2.6 threaded hole
 7: M2.6 threaded hole with M2.6 screwlock installed

UNLESS OTHERWISE SPECIFIED SURFACE FINISH ALL OVER TOLERANCES mm METRIC .X = ±0.38 .XX = ±0.25	DRAW:	DATE:	TITLE: D-Sub Power Pin Female R/A Type
	CHUBBY	03/05/05	
	CHECK:	APPROVE:	MODEL CODE: DS116-3W32X4X1XX
	KEVIN	TONY	 誠州電子有限公司 <i>Sincere State Electronics Co., Ltd.</i>

NO	DESCRIPTION	QTY