

CUST. MODEL:	REF.
CUST. P/N	DWG FILE:

DESCRIPTION CONTROL			
REV.	DESC.	DATE	APP.

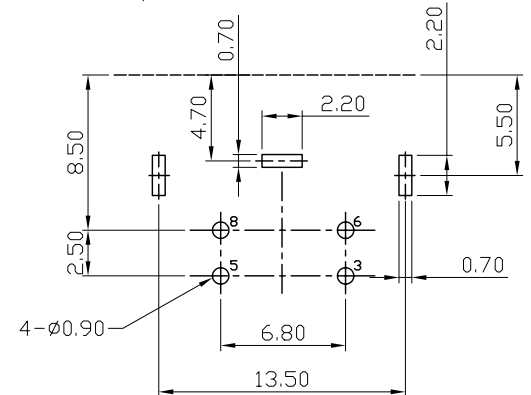
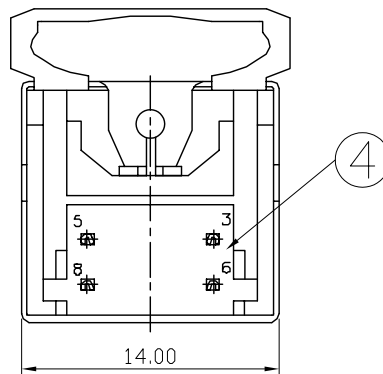
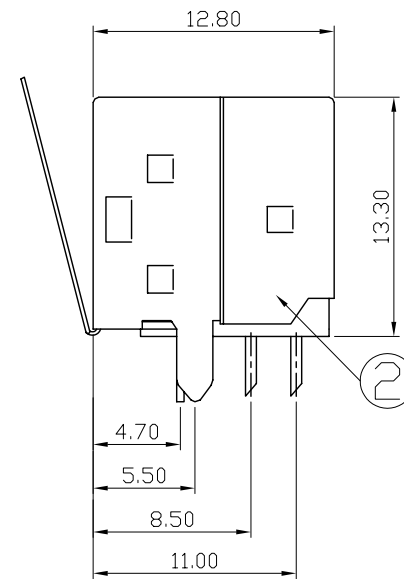
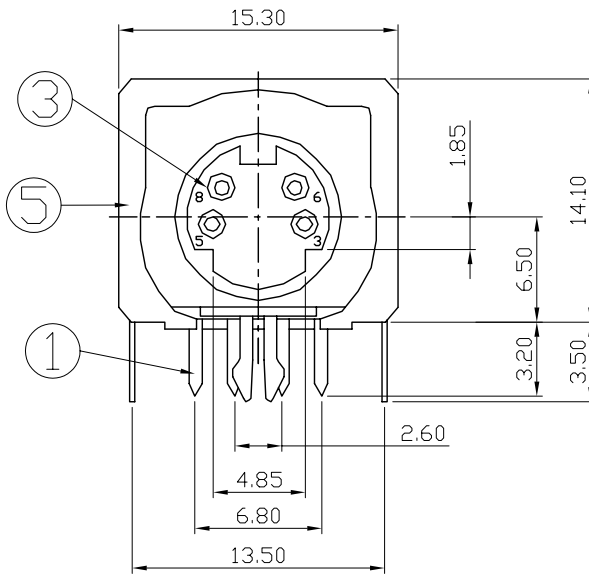
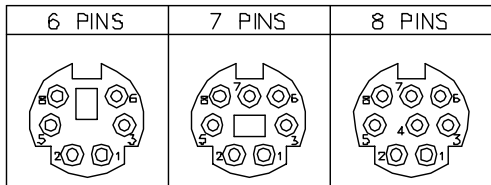
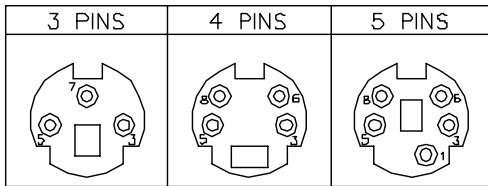
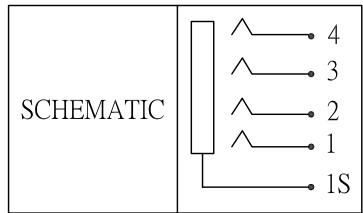
SPFCIFICATIONS:

Current Rating:
1.0 AMP Max.

Insulator Resistance:
100M OHMS Min. at 500V DC

Contact Resistance:
30m OHMS Max.

Dielectric Withstanding Voltage:
AC 500V For 1 Minute



NO	DESCRIPTION	Material	Finish	QTY
5	Panel Ground	0.2T Stainless Steel SUS301x3/4		1
4	Cover	PBT UL 94V-0	Black Color	1
3	Housing	PBT UL 94V-0	Black Color	1
2	Metal Shell	0.3T Brass	Nickel Plating	1
1	Terminal	0.2T Phosphor Copper	Gold Flash Plated Contact& Terminal Plated With Tin Over 50u'(min) Nickel	4

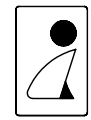
UNLESS OTHERWISE SPECIFIED SURFACE FINISH ALL OVER TOLERANCES mm

METRIC

.X = ±0.3
.XX = ±0.2
.XXX = ±0.15

DRAW:	DATE:
CHUBBY	06/18/03
CHECK:	APPROVE:
KEVIN	TONY

TITLE:	Mini DIN P.C.B. Mount Right Angle Full Metal Shield With Spring Female
MODEL CODE:	SCO-MDN-4PF-RA-MS-S



誠州電子有限公司
Sincere State Electronics Co.,Ltd.