

CUST. MODEL:	REF.
CUST. P/N	DWG FILE:

DESCRIPTION CONTROL			
REV.	DESC.	DATE	APP.

**SPFCIFICATIONS:**

**Current Rating:**

100 VAC 1A(Max./12VDC 2A(MAX.)

**Insulator Resistance:**

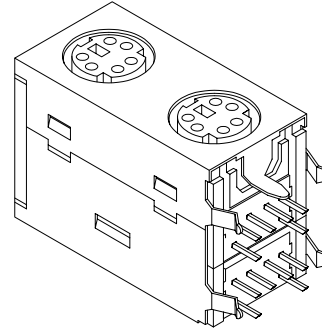
100M OHMS Min. at 500V DC

**Contact Resistance:**

30m OHMS Max.at AC 100mA(max.)1KHz

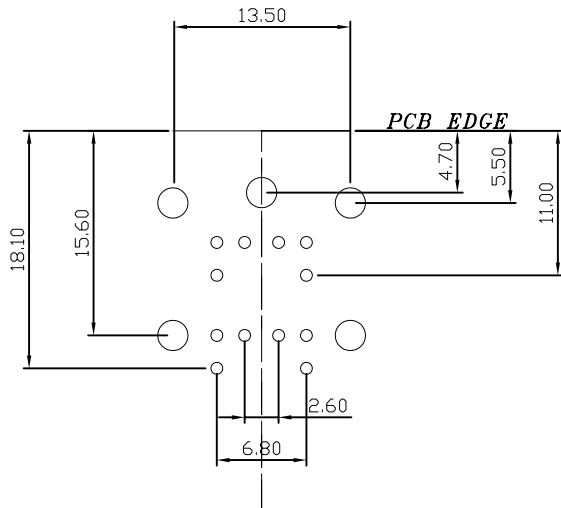
**Dielectric Withstanding Voltage:**

AC 500V 60Hz For 1 Minute

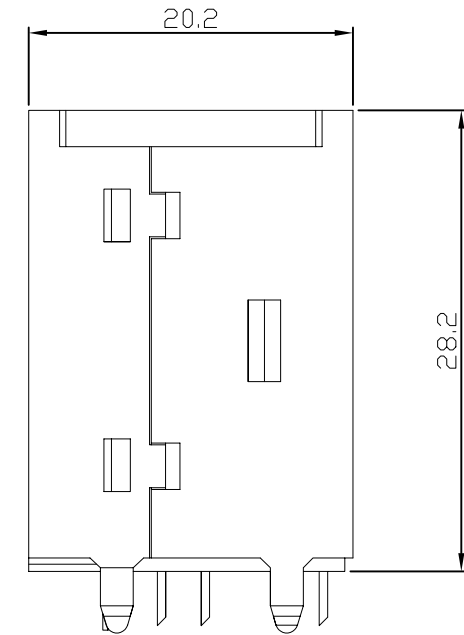
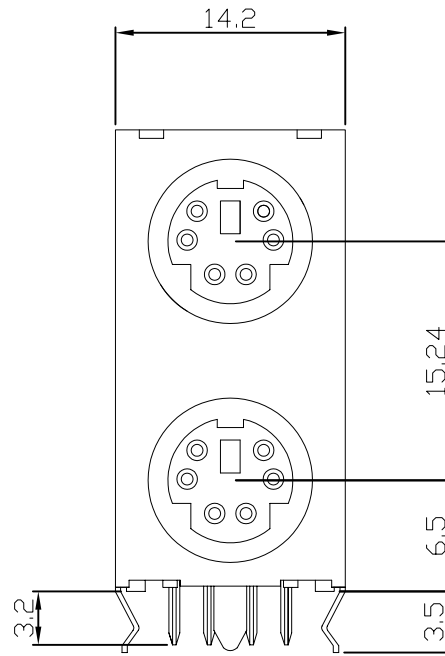


MD-254 66 G P T N

Port type 66:6x6 44:4x4 68:6x8 48:4x8 88:8x8	UP Color B:Black G:Green P:PURPLE	Down Color B:Black G:Green P:PURPLE	Pin Plated T:Tin G:Gold Flatch S:Silver	Shell Plated T:Tin N:Nicket D:Without Shell
---	--	--	--	--



RECOMMENDED P.C.B LAYOUT



UNLESS OTHERWISE SPECIFIED SURFACE FINISH ALL OVER TOLERANCES mm  METRIC  .X = ±0.3 .XX = ±0.2 .XXX = ±0.15	DRAW:  CHUBBY	DATE:  07/6/04	TITLE: Mini DIN P.C.B. Dual Port Mount Right Angle Female
	CHECK:  KEVIN	APPROVE:  TONY	MODEL CODE: MD-25466GPTN
			<p><b>誠州電子有限公司</b> Sincere State Electronics Co.,Ltd.</p>

NO	DESCRIPTION	Material	Finish	QTY
4	Cover	PBT UL 94V-0		1
3	Housing	PBT UL 94V-0		1
2	Metal Shell	0.3T Brass	Nickel Plating	1
1	Terminal	0.2T Phosphor Copper	Gold Flash Plated Contact& Terminal Plated With Tin Over 50u(um) Nickel	12