

CUST. MODEL:	REF.
CUST. P/N	DWG FILE:

DESCRIPTION CONTROL			
REV.	DESC.	DATE	APP.

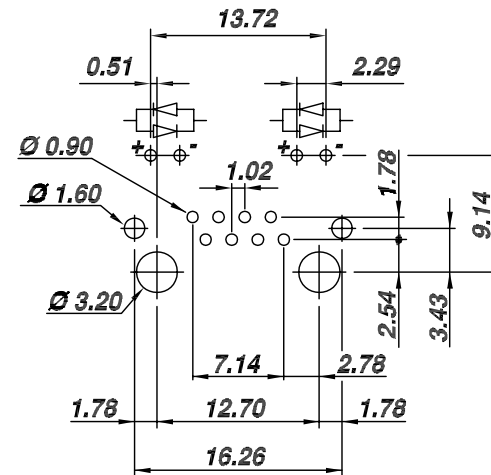
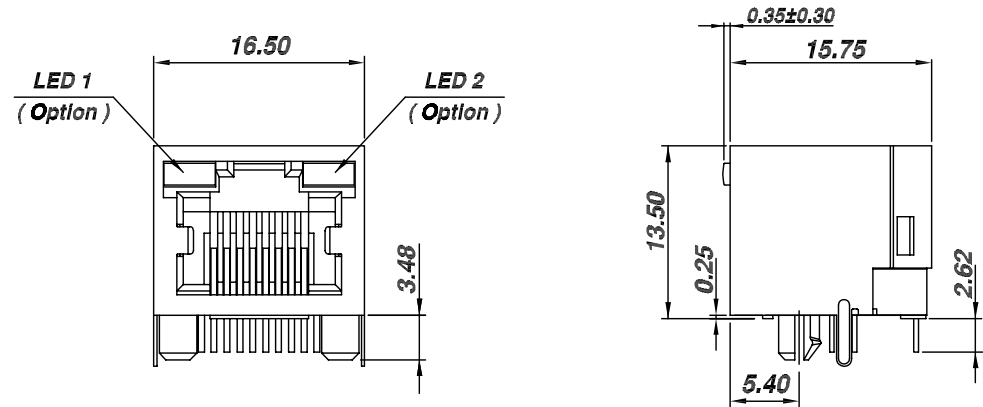
## SPFCIFICATIONS

### 1.Electrical Char.

Insulator Resistance:500M-Ohm Min.  
 Contact Resistance:20milli-Ohm Max.  
 Current Rating:1.5A Max.  
 Voltage Rating:120V AC.  
 Dielectric Voltage:1000 Vrms for 1 minute Min.

### 2.Physical Char.

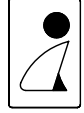
Housing: Nylon(UL94V-0)  
 Color: Black  
 Spring Wire:0.35mm Thickness Phosphor Bronze  
 Nickel Plated and Gold Plated.  
 Operating Temperature: -40°C~+85°C  
 Durability:500 Mating cycles Min.



**PCB LAYOUT**  
(Top View)

XX X X - X X XX X X XX - XX X  
 ① ② ③ ④ ⑤ ⑥ ⑦ ⑧ ⑨ ⑩ ⑪

- |   |   |
|---|---|
| ① MJ: Modular Jack<br>LMJ: MJ With LED  | ⑦ M: SMT/SMD<br>D: DIP  |
| ② Plastic Material<br>P: PBT<br>N: Nylon  | ⑧ 0: Side Entry up contact<br>1: Side Entry bottom contact<br>2: Side Entry up bottom contact<br>3: Top Entry |
| ③ Plastic Color<br>W: White<br>B: Black<br>G: Gray                                    | ⑨ LED Color<br>Left Right   |
| ④ 0: 4P2C 5: 8P2C<br>1: 4P4C 6: 8P4C<br>2: 6P2C 7: 8P6C<br>3: 6P4C 8: 8P8C<br>4: 6P6C | ⑩ Contact Plating<br>01 Normal<br>10 10u"<br>: :  |
| ⑤ 0: All Plastic<br>1: With Metal Shield<br>2: With Metal Shield<br>and Spring        | ⑪ G: Gold Plated<br>T: Tin Plated<br>D: Duplex Plated   |
| ⑥ No. of Port<br>H x V  |   |

UNLESS OTHERWISE SPECIFIED SURFACE FINISH ALL OVER TOLERANCES mm  METRIC  .XX = ±0.25 .XXX = ±0.13	DRAW: CHUBBY	DATE: 01/29/07	TITLE: RJ45 SIDE ENTRY SHIELDED PCB JACK
	CHECK: KEVIN	APPROVE: TONY	MODEL CODE: LMJNB-8111D1YG-XXX
			<b>誠州電子有限公司</b> <i>Sincere State Electronics Co.,Ltd.</i>

NO	DESCRIPTION	QTY
----	-------------	-----