

CUST. MODEL:	REF.
CUST. P/N	DWG FILE:

DESCRIPTION CONTROL			
REV.	DESC.	DATE	APP.

SPFCIFICATIONS

RoHS Compliant

1.Electrical Char.

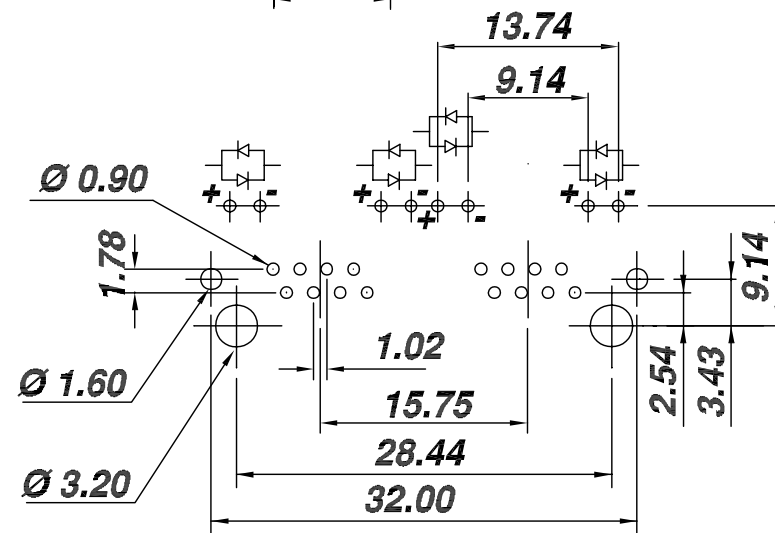
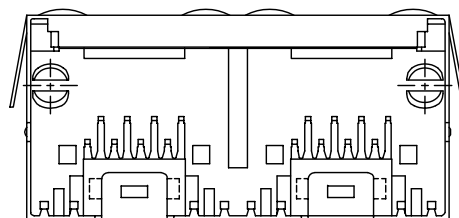
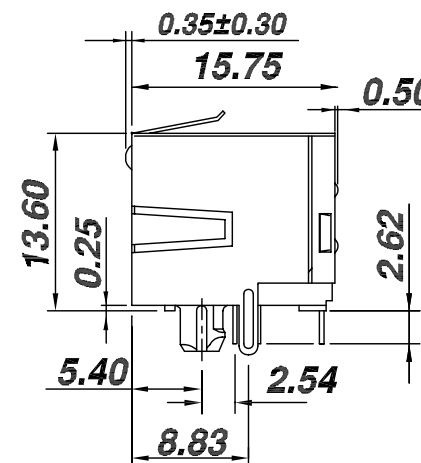
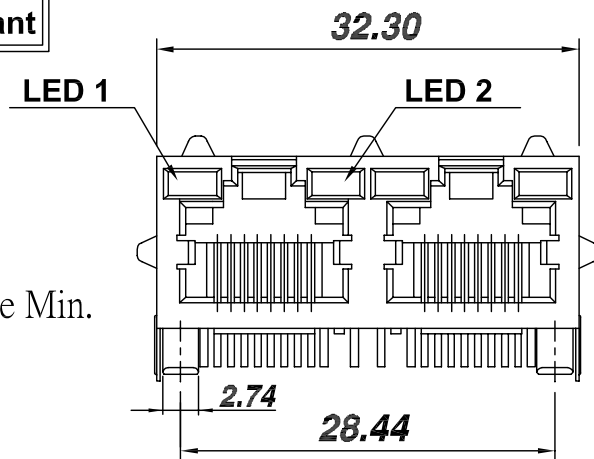
- Insulator Resistance:500M-Ohm Min.
- Contact Resistance:20milli-Ohm Max.
- Current Rating:1.5A Max.
- Voltage Rating:120V AC.
- Dielectric Voltage:1000 Vrms for 1 minute Min.

2.Physical Char.

- Housing: Nylon(UL94V-0)
- Color: Black Color
- Spring Wire:0.35mm Thickness Phosphor Bronze
- Gold Plated Over Nickel
- Operating Temperature: -40°C~+85°C
- Durability:500 Mating cycles Min.

XX XX - X XX XX XX - XX X
 ① ② ③ ④ ⑤ ⑥ ⑦ ⑧ ⑨ ⑩ ⑪

- ① MJ: Modular Jack
LMJ: MJ With LED
- ② Plastic Material
P: PBT
N: Nylon
- ③ Plastic Color
W: White
B: Black
G: Gray
- ④ 0: 4P2C 5: 8P2C
1: 4P4C 6: 8P4C
2: 6P2C 7: 8P6C
3: 6P4C 8: 8P8C
4: 6P6C
- ⑤ 0: All Plastic
1: With Metal Shield
2: With Metal Shield
and Spring
- ⑥ No. of Port
H x V
- ⑦ M: SMT/SMD
D: DIP
- ⑧ 0: Side Entry up contact
1: Side Entry bottom contact
2: Side Entry up bottom contact
3: Top Entry
- ⑨ LED Color
Left Right
- ⑩ Contact Plating
01 Normal
10 10u"
- ⑪ G: Gold Plated
T: Tin Plated
D: Duplex Plated



PCB LAYOUT (TOP VIEW)

UNLESS OTHERWISE SPECIFIED SURFACE FINISH ALL OVER TOLERANCES mm METRIC .XX = ±0.25 .XXX = ±0.13	DRAW:	DATE:	TITLE:
	CHUBBY	05/18/07	RJ45 Side Entry Shielded Ganged Jack With LED
	CHECK:	APPROVE:	MODEL CODE:
	KEVIN	TONY	LMJNB-8221D1GY-XXX
			誠州電子有限公司 <i>Sincere State Electronics Co.,Ltd.</i>

NO	DESCRIPTION	QTY