

CUST. MODEL:	REF.
CUST. P/N	DWG FILE:

DESCRIPTION CONTROL			
REV.	DESC.	DATE	APP.

## SPFCIFICATIONS

**RoHS Compliant**

### 1. Electrical Char.

Insulator Resistance: 500M-Ohm Min.

Contact Resistance: 20milli-Ohm Max.

Current Rating: 1.5A Max.

Voltage Rating: 120V AC.

Dielectric Voltage: 1000 Vrms for 1 minute Min.

### 2. Physical Char.

Housing: PBT Glass Filled(UL94V-0)

Color: Black Color

Spring Wire: 0.35mm Thickness Phosphor Bronze

Gold Plated Over Nickel

Operating Temperature: -40°C~+85°C

Durability: 500 Mating cycles Min.

XX XX - X X XX X X XX - XX X  
 ① ② ③ ④ ⑤ ⑥ ⑦ ⑧ ⑨ ⑩ ⑪

① MJ: Modular Jack  
 LMJ: MJ With LED

⑦ M: SMT/SMD  
 D: DIP

② Plastic Material  
 P: PBT  
 N: Nylon

⑧ 0: Side Entry up contact  
 1: Side Entry bottom contact  
 2: Side Entry up bottom contact  
 3: Top Entry

③ Plastic Color  
 W: White  
 B: Black  
 G: Gray

⑨ LED Color  
 Left Right

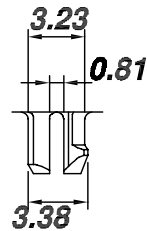
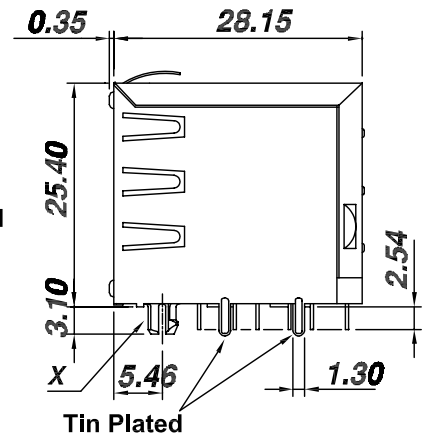
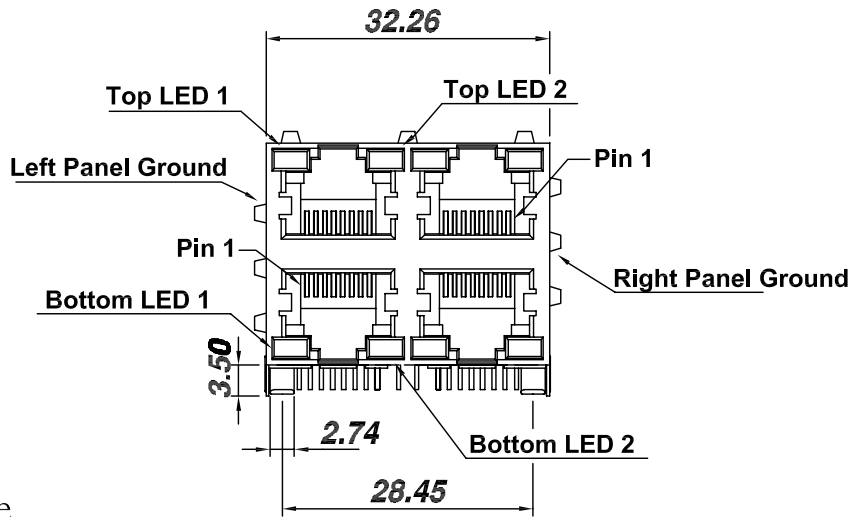
④ 0: 4P2C 5: 8P2C  
 1: 4P4C 6: 8P4C  
 2: 6P2C 7: 8P6C  
 3: 6P4C 8: 8P8C  
 4: 6P6C

⑩ Contact Plating  
 01 Normal  
 10 10u"

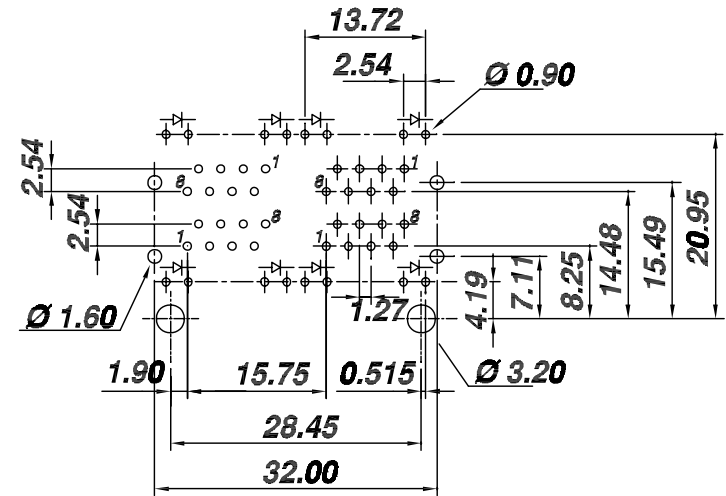
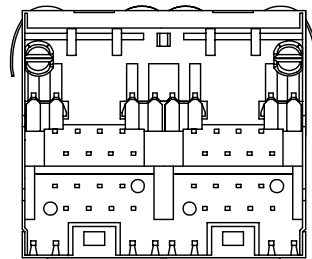
⑤ 0: All Plastic  
 1: With Metal Shield  
 2: With Metal Shield  
 and Spring

⑪ G: Gold Plated  
 T: Tin Plated  
 D: Duplex Plated

⑥ No. of Port  
 H x V

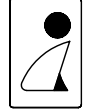


Detail X



PCB LAYOUT (TOP VIEW)

NO	DESCRIPTION	QTY
----	-------------	-----

UNLESS OTHERWISE SPECIFIED SURFACE FINISH ALL OVER TOLERANCES mm  METRIC  .XX = ±0.25 .XXX = ±0.13	DRAW:  CHUBBY	DATE:  05/08/06	TITLE:  RJ45 2x2 8Positions Double Deck Gang Shielded Jack
	CHECK:  KEVIN	APPROVE:  TONY	MODEL CODE:  LMJPB-8222D2YG-XXX
			<b>誠州電子有限公司</b> <i>Sincere State Electronics Co.,Ltd.</i>