

CUST. MODEL:	REF.
CUST. P/N	DWG FILE:

DESCRIPTION CONTROL			
REV.	DESC.	DATE	APP.

### SPFCIFICATIONS

**RoHS Compliant**

#### 1. Electrical Char.

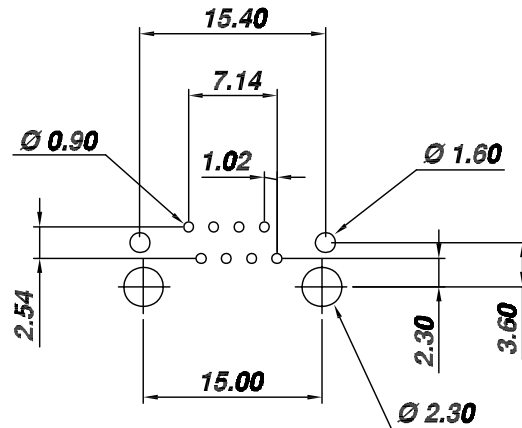
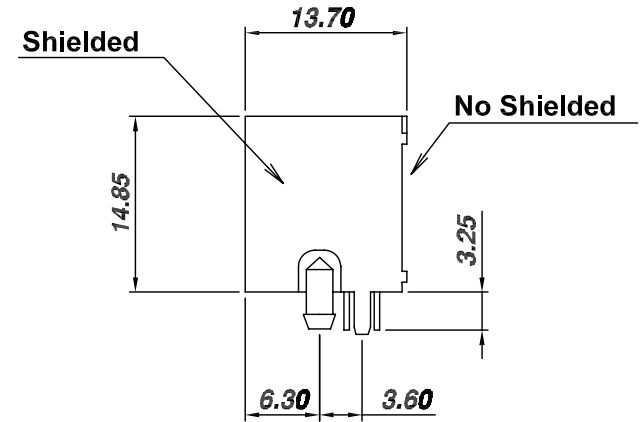
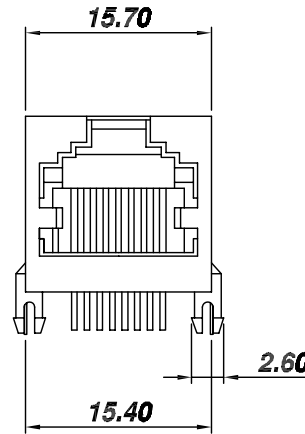
- Insulator Resistance: 500M-Ohm Min.
- Contact Resistance: 20milli-Ohm Max.
- Current Rating: 1.5A Max.
- Voltage Rating: 120V AC.
- Dielectric Voltage: 1000 Vrms for 1 minute Min.

#### 2. Physical Char.

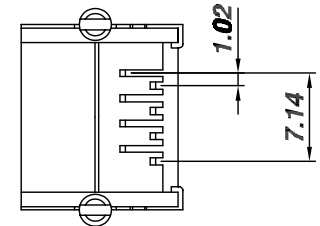
- Housing: PBT Glass Filled(UL94V-0)
- Color: Black/Medium Gray Color
- Spring Wire: 0.45mm Dia. Phosphor Bronze
- Gold Plated Over Nickel
- Operating Temperature: -40°C~+85°C
- Durability: 500 Mating cycles Min.

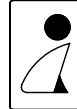
XX X X - X X XX X X XX - XX X  
 ① ② ③ ④ ⑤ ⑥ ⑦ ⑧ ⑨ ⑩ ⑪

- ① MJ: Modular Jack  
LMJ: MJ With LED
- ② Plastic Material  
P: PBT  
N: Nylon
- ③ Plastic Color  
W: White  
B: Black  
G: Gray
- ④ 0: 4P2C 5: 8P2C  
1: 4P4C 6: 8P4C  
2: 6P2C 7: 8P6C  
3: 6P4C 8: 8P8C  
4: 6P6C
- ⑤ 0: All Plastic  
1: With Metal Shield  
2: With Metal Shield and Spring
- ⑥ No. of Port  
H x V
- ⑦ M: SMT/SMD  
D: DIP
- ⑧ 0: Side Entry up contact  
1: Side Entry bottom contact  
2: Side Entry up bottom contact  
3: Top Entry
- ⑨ LED Color  
Left Right
- ⑩ Contact Plating  
01 Normal  
10 10u"
- ⑪ G: Gold Plated  
T: Tin Plated  
D: Duplex Plated



PCB LAYOUT  
(TOP VIEW)



UNLESS OTHERWISE SPECIFIED SURFACE FINISH ALL OVER TOLERANCES mm  METRIC  .XX = ±0.25 .XXX = ±0.13	DRAW: CHUBBY	DATE: 08/22/06	TITLE: RJ45 Mini Low Profile Shielded PCB Jack
	CHECK: KEVIN	APPROVE: TONY	MODEL CODE: MJPB-8111D1-XXX
	 <b>誠州電子有限公司</b> <i>Sincere State Electronics Co.,Ltd.</i>		

NO	DESCRIPTION	QTY