

CUST. MODEL:	REF.
CUST. P/N	DWG FILE:

DESCRIPTION CONTROL			
REV.	DESC.	DATE	APP.

SPFCIFICATIONS

RoHS Compliant

1. Electrical Char.

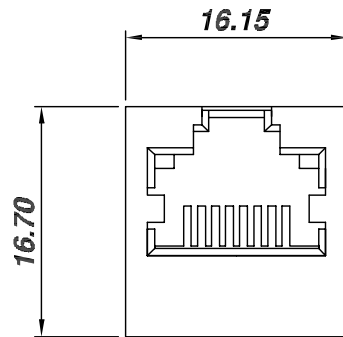
- Insulator Resistance: 500M-Ohm Min.
- Contact Resistance: 20milli-Ohm Max.
- Current Rating: 1.5A Max.
- Voltage Rating: 120V AC.
- Dielectric Voltage: 1000 Vrms for 1 minute Min.

2. Physical Char.

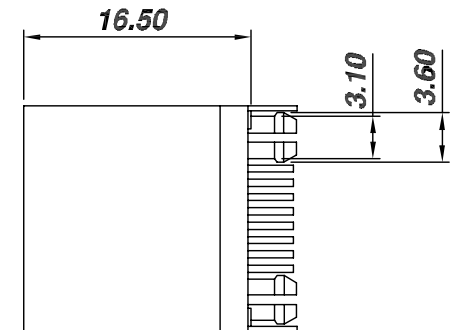
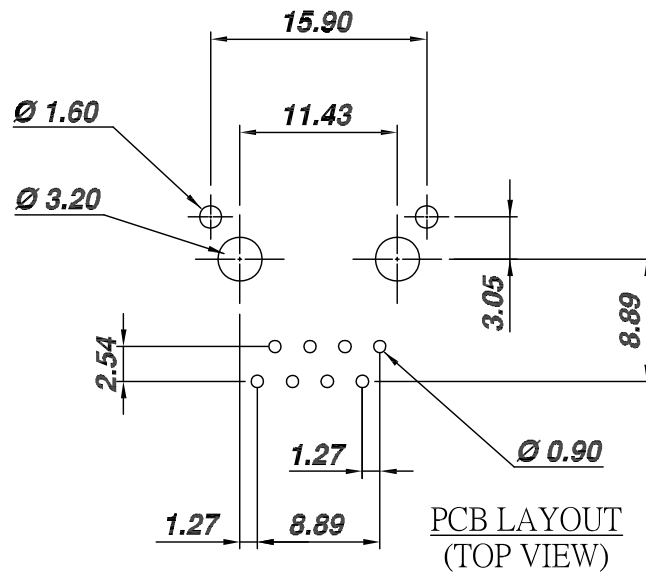
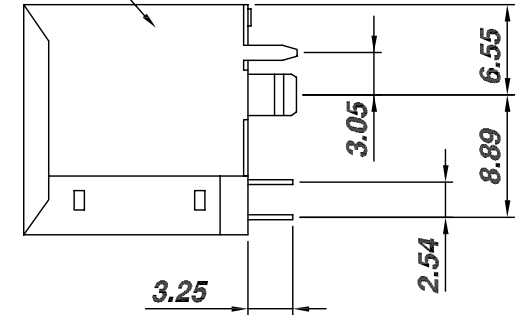
- Housing: PBT Glass Filled(UL94V-0)
- Color: Black Color
- Spring Wire: 0.35mm Thickness Phosphor Bronze
- Gold Plated Over Nickel
- Operating Temperature: -40°C~+85°C
- Durability: 500 Mating cycles Min.

XX X X - X X XX X X XX - XX X
 ① ② ③ ④ ⑤ ⑥ ⑦ ⑧ ⑨ ⑩ ⑪

- ① MJ: Modular Jack
LMJ: MJ With LED
- ② Plastic Material
P: PBT
N: Nylon
- ③ Plastic Color
W: White
B: Black
G: Gray
- ④ 0: 4P2C 5: 8P2C
1: 4P4C 6: 8P4C
2: 6P2C 7: 8P6C
3: 6P4C 8: 8P8C
4: 6P6C
- ⑤ 0: All Plastic
1: With Metal Shield
2: With Metal Shield and Spring
- ⑥ No. of Port
H x V
- ⑦ M: SMT/SMD
D: DIP
- ⑧ 0: Side Entry up contact
1: Side Entry bottom contact
2: Side Entry up bottom contact
3: Top Entry
- ⑨ LED Color
Left Right
- ⑩ Contact Plating
01 Normal
10 10u"
- ⑪ G: Gold Plated
T: Tin Plated
D: Duplex Plated



Shielded



UNLESS OTHERWISE SPECIFIED SURFACE FINISH ALL OVER TOLERANCES mm METRIC .XX = ±0.25 .XXX = ±0.13	DRAW: CHUBBY	DATE: 05/06/06	TITLE: RJ45 Top Entry Shielded PCB Jack
	CHECK: KEVIN	APPROVE: TONY	MODEL CODE: MJPB-8111D3-XXX

誠州電子有限公司
Sincere State Electronics Co.,Ltd.

NO	DESCRIPTION	QTY