

CUST. MODEL:	REF.
CUST. P/N	DWG FILE:

DESCRIPTION CONTROL			
REV.	DESC.	DATE	APP.

SPFCIFICATIONS

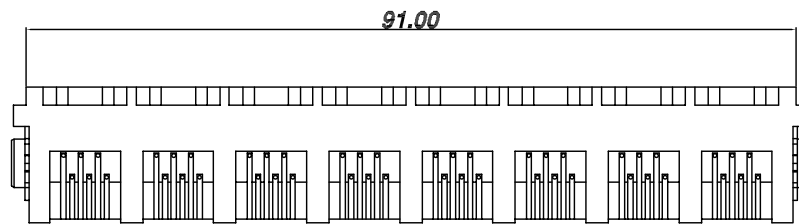
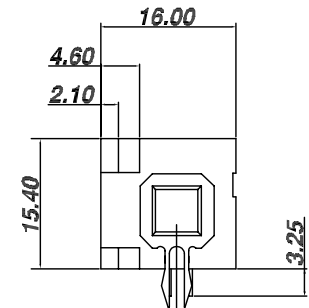
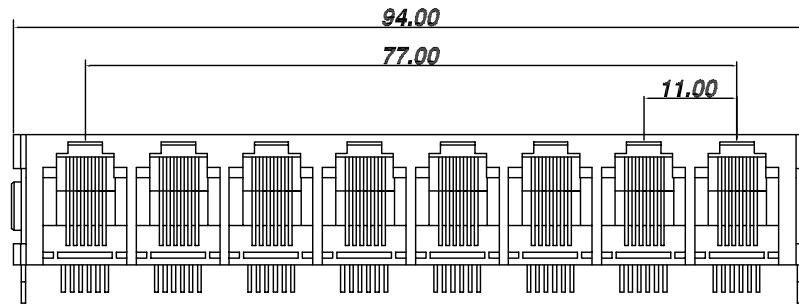
RoHS Compliant

1.Electrical Char.

- Insulator Resistance:500M-Ohm Min.
- Contact Resistance:20milli-Ohm Max.
- Current Rating:1.5A Max.
- Voltage Rating:120V AC.
- Dielectric Voltage:1000 Vrms for 1 minute Min.

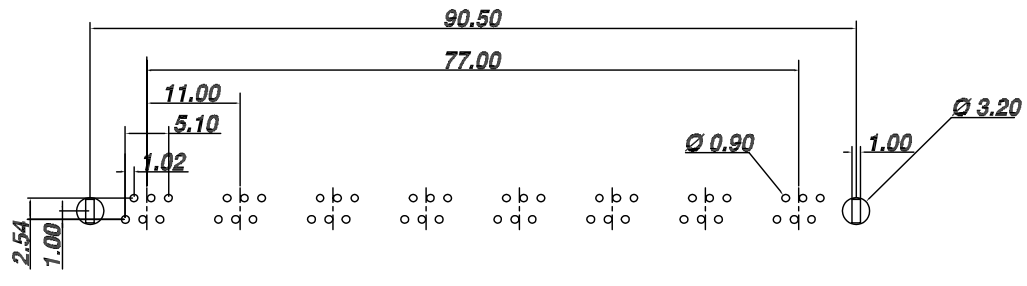
2.Physical Char.

- Housing: PBT Glass Filled(UL94V-0)
- Color: Medium Gray Color
- Spring Wire:0.45mm Dia. Phosphor Bronze
- Gold Plated Over Nickel
- Operating Temperature: -40°C~+85°C
- Durability:500 Mating cycles Min.



XX XX - X XX XX XX - XX X
 ① ② ③ ④ ⑤ ⑥ ⑦ ⑧ ⑨ ⑩ ⑪

- ① MJ: Modular Jack
LMJ: MJ With LED
- ② Plastic Material
P: PBT
N: Nylon
- ③ Plastic Color
W: White
B: Black
G: Gray
- ④ 0: 4P2C 5: 8P2C
1: 4P4C 6: 8P4C
2: 6P2C 7: 8P6C
3: 6P4C 8: 8P8C
4: 6P6C
- ⑤ 0: All Plastic
1: With Metal Shield
2: With Metal Shield and Spring
- ⑥ No. of Port
H x V
- ⑦ M: SMT/SMD
D: DIP
- ⑧ 0: Side Entry up contact
1: Side Entry bottom contact
2: Side Entry up bottom contact
3: Top Entry
- ⑨ LED Color
Left Right
- ⑩ Contact Plating
01 Normal
10 10u"
- ⑪ G: Gold Plated
T: Tin Plated
D: Duplex Plated



PCB LAYOUT

UNLESS OTHERWISE SPECIFIED SURFACE FINISH ALL OVER TOLERANCES mm METRIC .XX = ±0.25 .XXX = ±0.13	DRAW: Chubby	DATE: 05/08/06	TITLE: RJ11 or RJ12 Side Entry PCB Gang Jack
	CHECK: KEVIN	APPROVE: TONY	MODEL CODE: MJPG-4081D1-XXX
			<p>誠州電子有限公司 Sincere State Electronics Co.,Ltd.</p>

NO	DESCRIPTION	QTY
----	-------------	-----