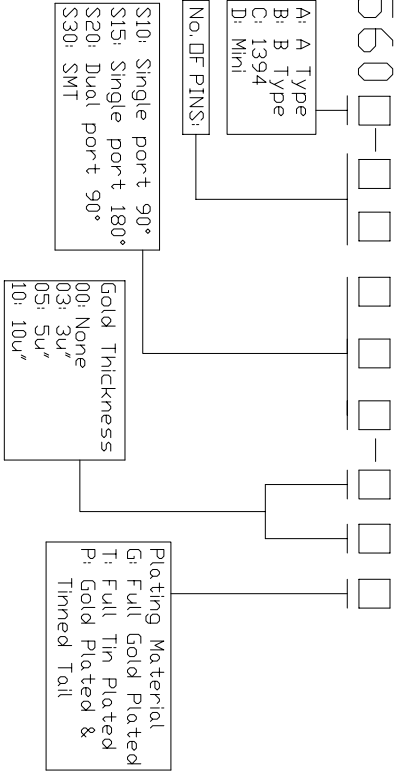
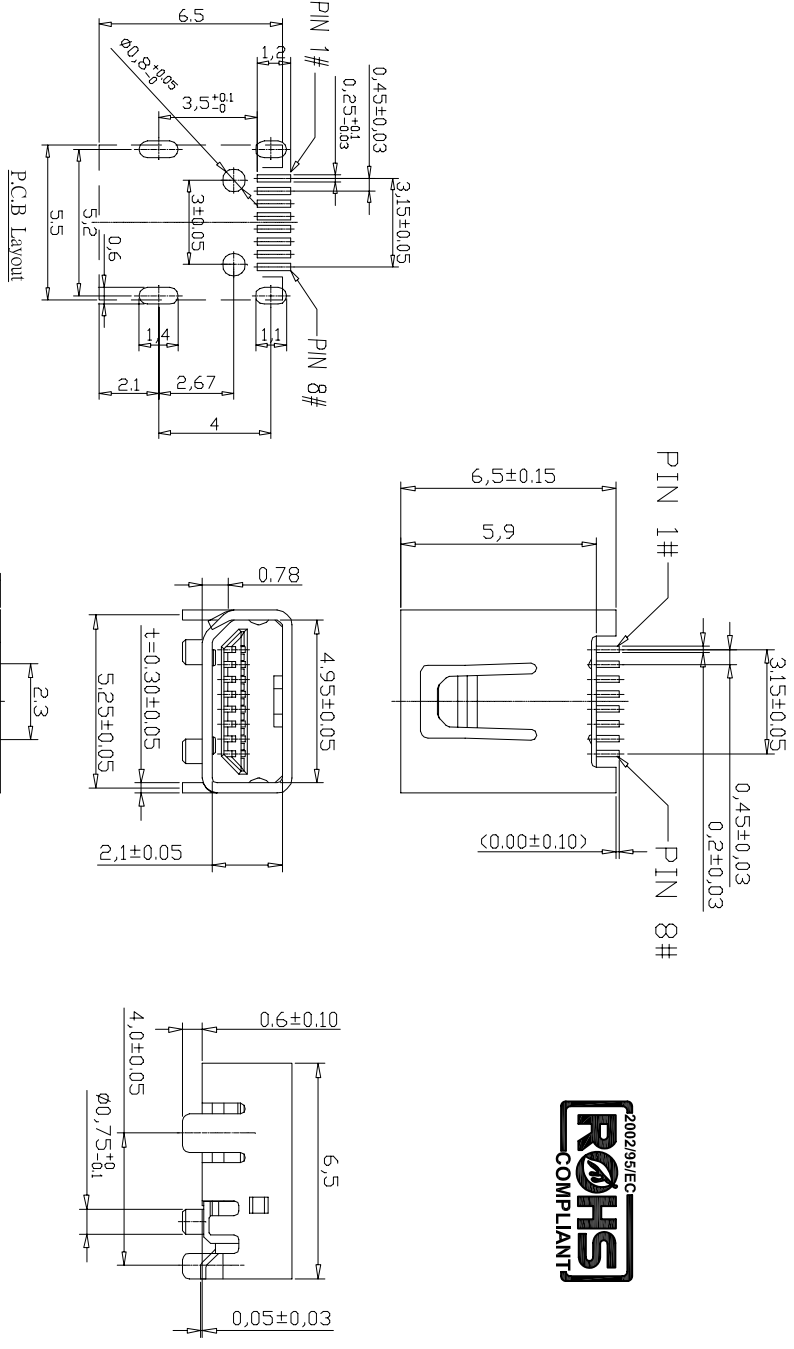


CUST. MODEL:	REF.
CUST. P/N	DWG FILE:

REV.	DESCRIPTION CONTROL	DATE	APP.
DESC.			

**SPECIFICATIONS**

Ratings: AC 5V/0.5A  
 Current: 0.5mA  
 Insulator Resistance: 100 m ohm min at DC 500V  
 Contact Resistance: 50 m ohm or less  
 Dielectric withstanding: AC 100V/minute (CUT-OFF)  
 Operating Temperature: -40°C to +105°C  
 Contact Material: Phosphor Bronze  
 Insulator Material: LCP UL94V-0 rated.  
 Shell: Brass/Gold flash  
 Contact Insertion Force: 35N(3.57kgf) max  
 Contact Withdrawal Force: 1N(0.1kgf) min



Gold Thickness  
 00: None  
 03: 3u"  
 05: 5u"  
 10: 10u"

Plating Material  
 G: Full Gold Plated  
 T: Full Tin Plated  
 P: Gold Plated & Tinned Tail

UNLESS OTHERWISE SPECIFIED SURFACE FINISH ALL OVER TOLERANCES mm

**METRIC**

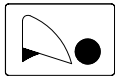
X. = ±0.38  
 .X = ±0.25  
 .XX = ±0.13

**DRAW:** Chubby  
**DATE:** 04/28/07

**CHECK:** Kevin  
**APPROVE:** Tony

**TITLE:**

Mini USB 8P Female SMT Type  
 MODEL CODE: U560D-08SS30-XXXX



誠州電子有限公司  
 Sincere State Electronics Co., Ltd.

NO	DESCRIPTION	QTY
----	-------------	-----