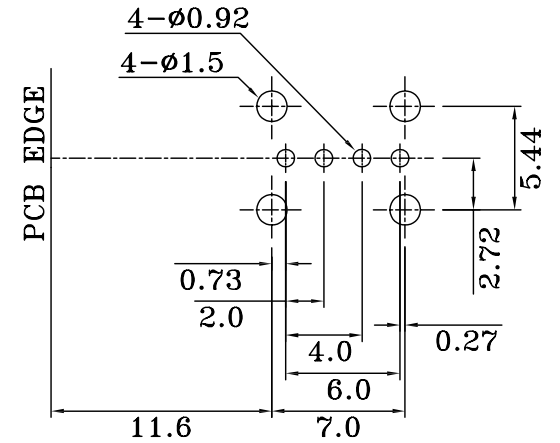
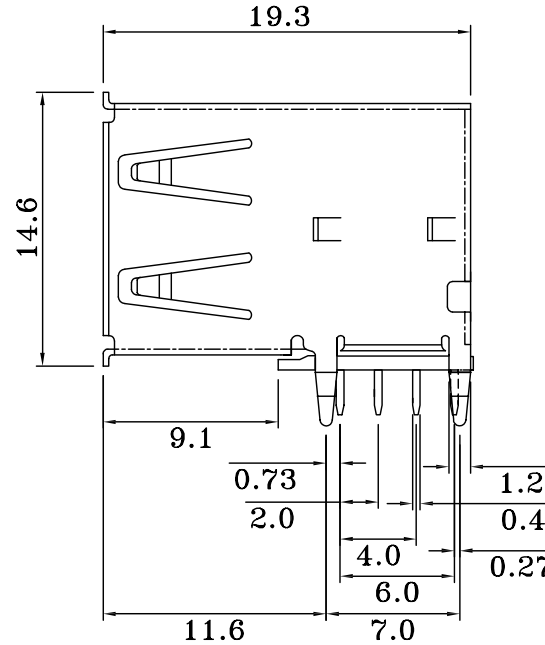
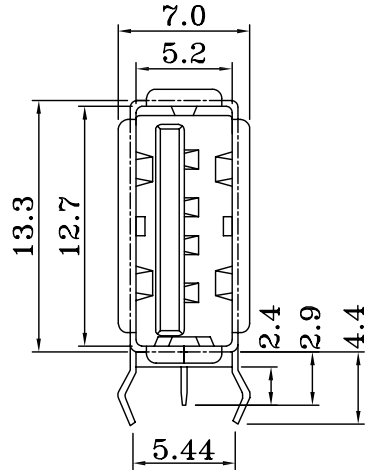


CUST. MODEL:	REF.
CUST. P/N	DWG FILE:

DESCRIPTION CONTROL			
REV.	DESC.	DATE	APP.

Housing:PBT G.F. White  
 Pin Terminal:  
 Phosphor Bronze T=0.25  
 Gold/Tin plated  
 Ni:1~1.5u" Tin:3u" Gold:1~3u"  
 Shell:Brass T:0.3 Nickel plated  
 Ni:2~3u  
 Bottom Cover: PBT G.F White



U560□-□□□□□□□□

A: A Type  
 B: B Type  
 C: 1394

No. OF PINS:

S10: Single port 90°  
 S15: Single port 180°  
 S20: Dual port 90°  
 S30: SMT  
 S40: Flank 90°

Gold Thickness  
 00: None  
 03: 3u"  
 05: 5u"  
 10: 10u"

Plating Material  
 G: Full Gold Plated  
 T: Full Tin Plated  
 P: Gold Plated &  
 Tinned Tail

UNLESS OTHERWISE  
 SPECIFIED SURFACE  
 FINISH ALL OVER  
 TOLERANCES mm

METRIC  
 .X = ±0.38  
 .XX = ±0.25

DRAW: *Chubby*  
 DATE: 10/27/08

CHECK: KEVIN  
 APPROVE: *TONY*

TITLE: USB Type A Upright 90° DIP

MODEL CODE: U560A-04S40-00P



誠州電子有限公司  
 Sincere State Electronics Co.,Ltd.